

HD Indoor Dome IP Camera ZND-4080 RP Series

Specifications

This specification applies to ZND-4080 RP /(-W)/(-POE)/(-IR)

1. Basic Description

ZND-4080 RP series based on IP network, achieve network digital surveillance, transmit clear, smooth video surveillance images.

ZND-4080 RP Series use 1/3" CMOS and advanced H.264 codec, Maximum resolution :1600*1200, high cost performance. Supports dual streaming, Transmit high-quality H.264 video in the low-band width network environment smooth



also supports MJPEG compression; Built-in 2.8-12mm lens; Support audio, alarm function, provide third-party systems integration interface.

The series use compact, lightweight ABS housing, metal base, lightweight appearance, excellent thermal performance, suitable for hotels, supermarkets, offices, corridors, stairways and other indoor surveillance sites.

With video surveillance system software platform, can realize different network environments of large-scale network surveillance. Cooperate with video surveillance system platform software.

2.Expand Type

Basic: ZND-4080 RP

POE: ZND-4080 RP -P

WIFI: ZND-4080 RP -W

IR: ZND-4080 RP -IR

POE, IR: ZND-4080 RP -POE-IR

WIFI,IR: ZND-4080 RP -W-IR

3.Key Features

- ◆ Max resolution:1600×1200, output Real-time HD 720P image
- ◆ 1/3" Progressive Scan CMOS, Capture motion images without jagged
- ◆ Built-in 2.8-12mm zoom lens
- ◆ 15IR LEDs,IR distance 10m
- ◆ Two-axis adjustable, easy to install construction
- ◆ H.264/MJEG is optional, dual streaming, low bandwidth, and high quality.
- ◆ Support two-way talking
- ◆ Support Micro SDHC card storage;SD2.0 standard,maximum storage 32G
- ◆ Multiple network protocol support, adapt to the LAN / WIFI Mobile
- ◆ Support motion detection, network fault detection,alarm recording,image snapping
- ◆ Support 4 area privacy mask
- ◆ Support motion detection, network fault detection and alarm video, image snapping
- ◆ Small shell,space saving
- ◆ User-friendly design, installation convenience
- ◆ Power supply DC12V/1A

- ◆ Support POE power supply
- ◆ High cost performance
- ◆ Support ONVIF protocol

4.Applications Scenarios

Suitable for hotels, supermarkets, offices, corridors, stairways and other indoor surveillance sites.

5.Technical parameters

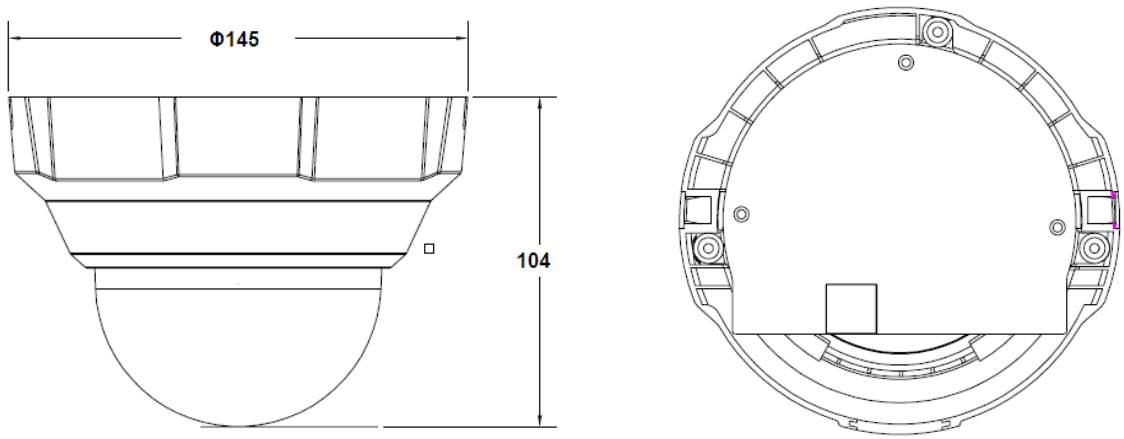
:

Model		ZND-4080 RP /(-W)/(-POE)/(-IR)
Hardware		
Network chip	Lan	Realtek 10/100M BASE-TX Self-adapting
Sensor		1/3" Progressive Scan CMOS
Effective Pixels		1600(H)×1200(V)
Min.Illumination		Color Mode:0.5Lux @F1.2
S/N		≥50db(AGC OFF)
Auto Electronic Shutter		Auto
IR Parameters(-IR)		15 IR LEDs,IR distance 10m
Interfaces		
Optical lens	Interfac es	Φ14
	Lens	Manual zoom
	Focal Length	2.8-12mm
Audio Talkback		1 channel MIC input, External access, 3.5 mm audio interface
Audio Output		1 channel linear output, 3.5 mm audio interface
Storage Interface		Micro SD card supports video storage and image snapping; SD2.0 standard,maximum storage 32G
Network Interface	Lan	10/100M BASE-TX,RJ-45 connector
I/O		1-channel input, Normally Open/Normally Close modes adjustable; 1-channel output, 120VAC 1A/24VDC 1A,1 RS232 interface
Audio video encoding		

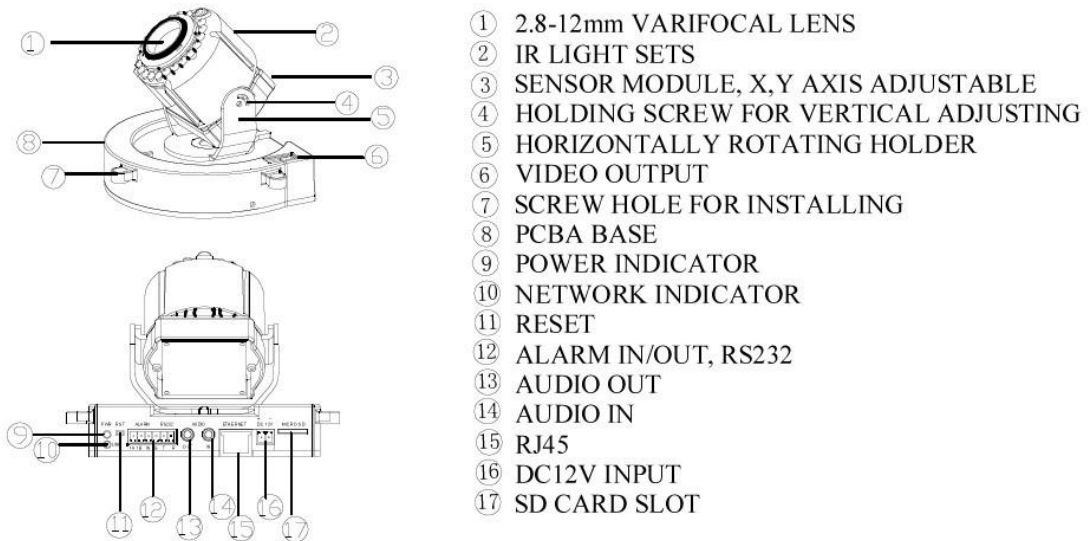
Video Compression		H.264 Main Profile; MJPEG/JPEG Baseline
Resolution	Master Streaming	1600*1200,1-15fps/sec 1280*960,1-25fps/sec 1280*720,1-25(30)fps/sec
	Second Streaming	640*480,1-25fps/sec 320*240,1-25fps/sec 160*112,1-25fps/sec
Video Bitrate		32Kbps~16Mbps,Supports CBR/VBR
Title OSD		Supports channel name, date, and video stream information overlay;OSD location is adjustable
Audio Compression		G.711, G.726,support 32 K stereo
Data transmission and storage		
Data storage		Video and Image
Recording		Recording set up to record by motion trigger,alarm trigger, manual, or schedule
Alarm Output		FTP,E-mail, Explorer, Software
Network protocol		TCP/IP,UDP,RTP,RTSP,RTCP,HTTP,DNS,DDNS,DHCP,FTP,NTP,PPPOE,SMTP,UPNP
Wireless protocols(-W)		802.11b/g,Supports WEP,WPA,WPA2("-w" model supports)
ONVIF protocol		Support
Remote View	Computer	IE 6.0 or up, max 10user
	Mobile Phone	Windows Mobile,Symbian,iPhone
General Parameters		
Operating Temperature		-10℃ - +55℃
Operating Humidity		0% - 90%
Power		DC12V/POE(IEEE 802.3af)(Optional)
Power Consumption		5W(MAX)
Dimension		Φ145*104(H)mm
Weight		0.6KG

6.Dimension Drawing,interfaces

Dimension Drawing:



Interfaces



8.Installation Guide

